

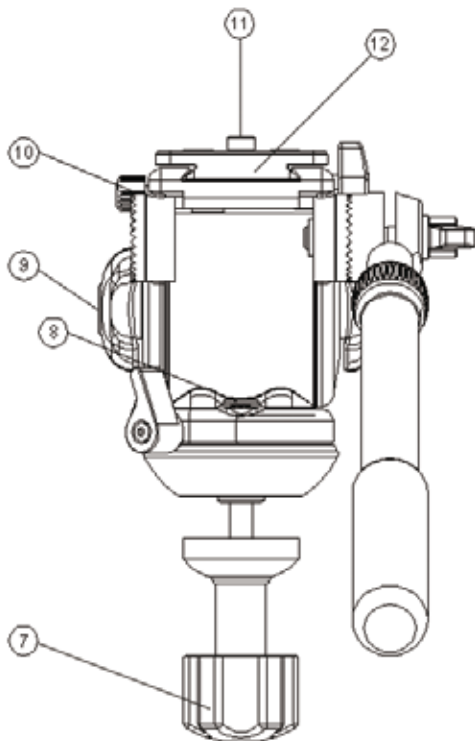
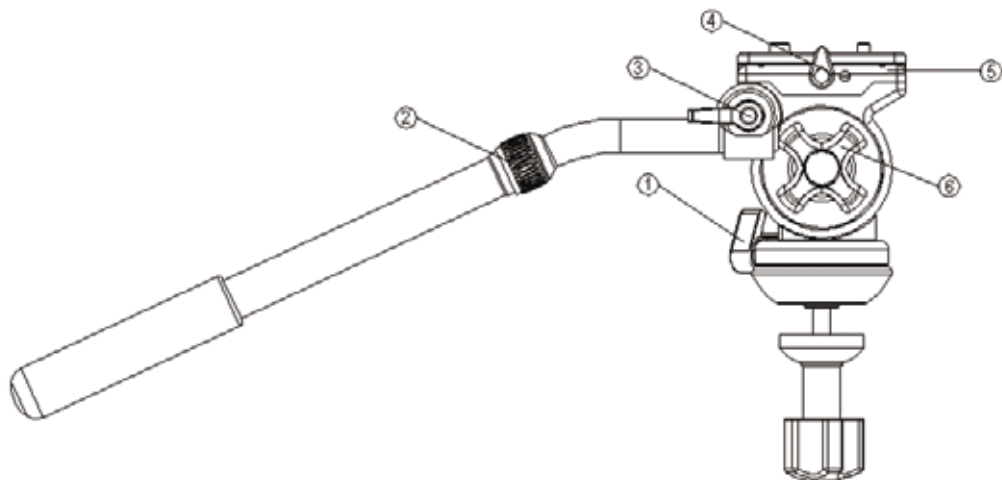
SAFARI

tripod system



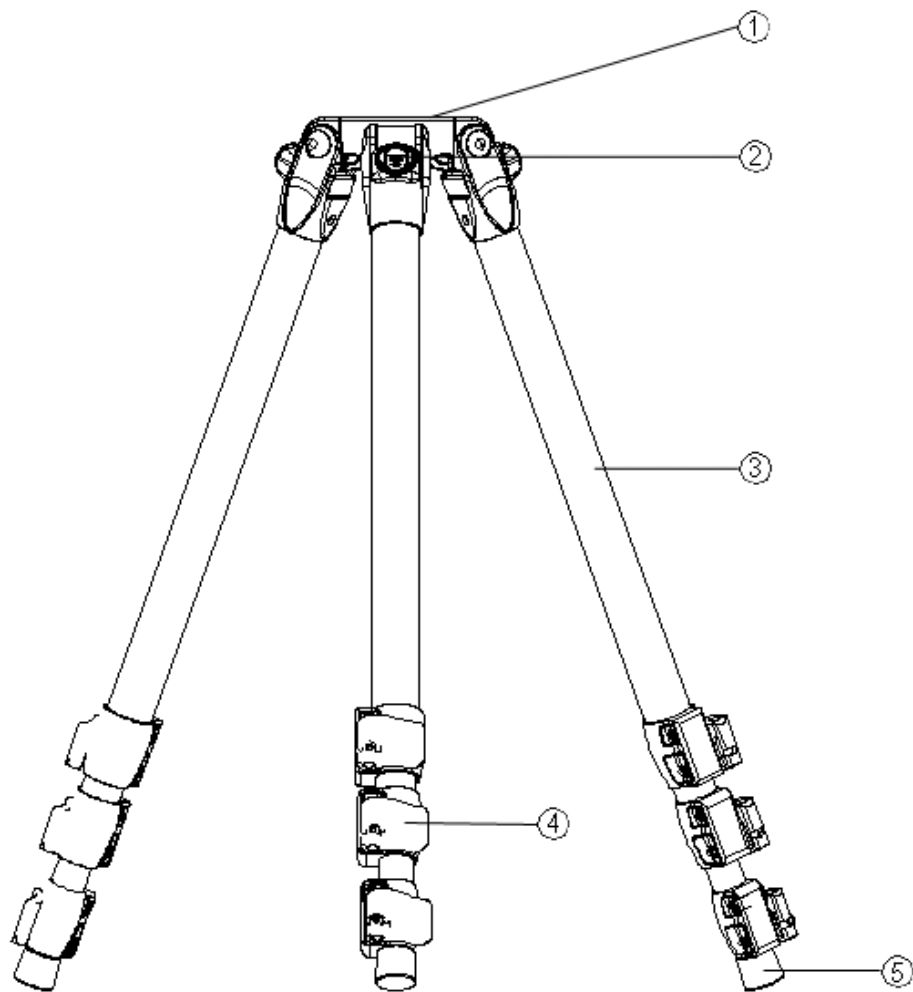
#R1100

OPERATING INSTRUCTIONS



1. Pan Lock
2. Pan Handle Concentric Lock
3. Pan Handle Clamp
4. Slide Lock Lever
5. Camera Platform
6. Tilt Drag
7. Clamp Nut
8. Bubble Level
9. Tilt Lock
10. Quick Release Clamp
11. 1/4" and pin carriage
12. Camera Plate

FEATURES AND CONTROLS



1. 55mm Bowl
2. Leg Angle Lock
3. Leg Cover
4. Leg Lock Lever
5. Rubber Foot

OPERATING INSTRUCTIONS

Thank you for purchasing the SAFARI tripod system for use with lightweight portable video camcorders. They are intended for use by operators using MiniDV camcorders in most environments.

Operating Instructions

Before operating please read the following operating instructions. Do not omit any step. N.B. The safe operation of this equipment is the responsibility of the operator.

HANDLE MOUNTING

The head is supplied with a single pan handle and clamp, fitted to the right side of the head. Adjust the pan handle to comfortable length by loosening the pan handle concentric lock (Fig.1).



Fig. 1

Adjust the angle of the pan handle by loosening the handle clamp lever (Fig.2) on the side of the handle clamp, rotate pan handle to required angle and retighten the handle clamp lever.



Fig. 2

MOUNTING YOUR CAMERA

The best camera control can be achieved by mounting and balancing the camera's centre of gravity over the centre axis of the head. The head is also equipped with a sliding camera platform to help you achieve this.

- 1) Engage pan lock by rotating the lever clockwise until firm; engage tilt lock by rotating the knob clockwise until firm.
- 2) Remove camera plate by unlocking the slide lock, rotating the quick release knob and sliding the camera plate backwards.

3) Attach the camera to the camera plate by using the 1/4" screw and pin in the plate.

4) Check that the slide lock is released, then align the camera plate with the camera base. Slide the camera with camera plate forward until the safety mechanism is engaged.

5) Lock the slide lock when camera is balanced over the centre of gravity of the head.

DRAG CONTROL

The SAFARI tripod head provides adjustment for tilt drag control (Fig.3). Rotate clockwise to increase friction resistance, and anti-clockwise to decrease friction resistance.



Fig. 3

TRIPOD SETUP

Remove the tripod system from the carry bag and stand on a level surface.

Setup

1. Separate legs slightly so they are parallel.
2. Working with each leg individually, release the leg lock levers (fig.4).
3. Extend to desired length and return leg Lock levers to locked position. Repeat Process for remaining legs extending them to the same length.
4. Spread tripod legs.
5. Level the fluid head using bubble level and ball levelling feature of the fluid head.



Fig. 4

Minimum height setting

Note: it is recommended that minimum height position is used only with legs at their shortest length.

1. Working with each leg, push The button on the leg angle lock (fig.5) To release and spread the leg to its lowest Position. The leg angle lock will automatically engage the leg to hold the tripod at its lowest height position.
2. Repeat for other legs.



Fig. 5 Position 1



Position 2



Position 3

Mid position setting

The mid-angle position is self engaging after closing the leg from the fully spread position. The mid angle position will increase the footprint of the tripod system but offers optimum stability.



TRIPOD PULL DOWN

Remove the camera from the tripod system. Close the tripod legs so all are pointing straight down and disengage all leg lock levers. Holding the bowl, lower the tripod to its shortest length and re-engage the leg lock levers.

Close legs together fully and return tripod to carry bag if finished shooting.



CLEANING

WARNING: Do not immerse the tripod system in any liquid.

WARNING: Do not use stiff brushes, abrasives or solvents.

To ensure optimum performance throughout the life of the tripod system it is recommended regular cleaning of the tripod system. When the system has been used in harsh environments, wipe over with a soft damp cloth as soon as possible. Use a soft brush to clean crevices. Remove and clean the camera plate.

SPECIFICATIONS

Description	SAFARI Tripod System
Weight kg (lb)	3.6 kg (7.9)(including soft case)
Payload kg (lb)	5 kg (11.0)
Bowl Diameter	55 mm ball levelling
Height Above Bowl mm (in)	114 mm (4.5)
Pan/Tilt System	Fluid dampening system
Camera Plate	Sliding camera plate
Attachment System	¼" screw with pin carriage
Leg Tube Material	Carbon Fibre
Max Height mm (in)	1439 mm (56.7)
Min Height mm (in)	234 mm (9.2)
Transport Length mm (in)	680 mm (26.8)

WARRANTY

This warrants that the safari tripod system supplied will, under proper use, be free from defects due solely to faulty material and workmanship for a period of 1 year from the date of delivery. If part of the equipment is found by us to be so defective, at our option, we shall repair or supply a replacement for such part.

The warranty on this document shall not apply if :

(I) the buyer has, without our consent in writing, serviced, modified, repaired or otherwise subjected the goods to technical attention by any person other than our authorised representatives.

(II) defectiveness is due to neglect, misuse, excessive heating, accidents, operation contrary to instructions for use, or normal wear or tear or;

(III) where access to equipment is necessary, the buyer has not permitted our authorised representative full access.

It is the buyer's responsibility when ordering to ensure that the goods ordered conform to buyer's requirements.

Contact Details:

REM

PO BOX 696 ARTARMON NSW 1570

EMAIL: info@safaritripod.com

For further information on available parts and accessories visit

WWW.SAFARITRIPOD.COM